



CCS 2 Charging Plugs

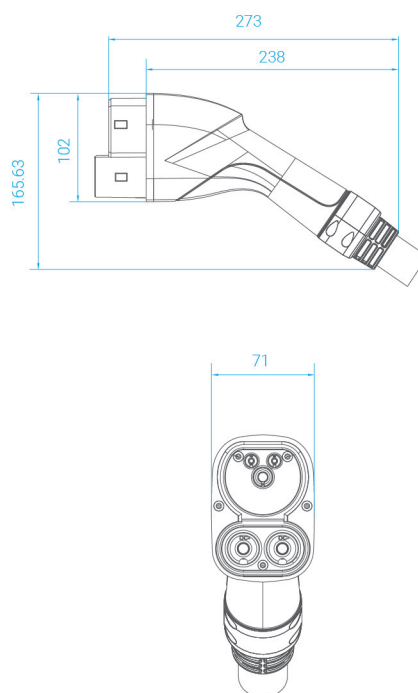


CCS 2 High-power Liquid Cooling (CCS 2 DC Charging Plug 2.0)

- Up to 700A output current, oil-cooled or water-cooled
- 5 minutes charging for 200+km range
- Lightweight and sleek for one-handed operation

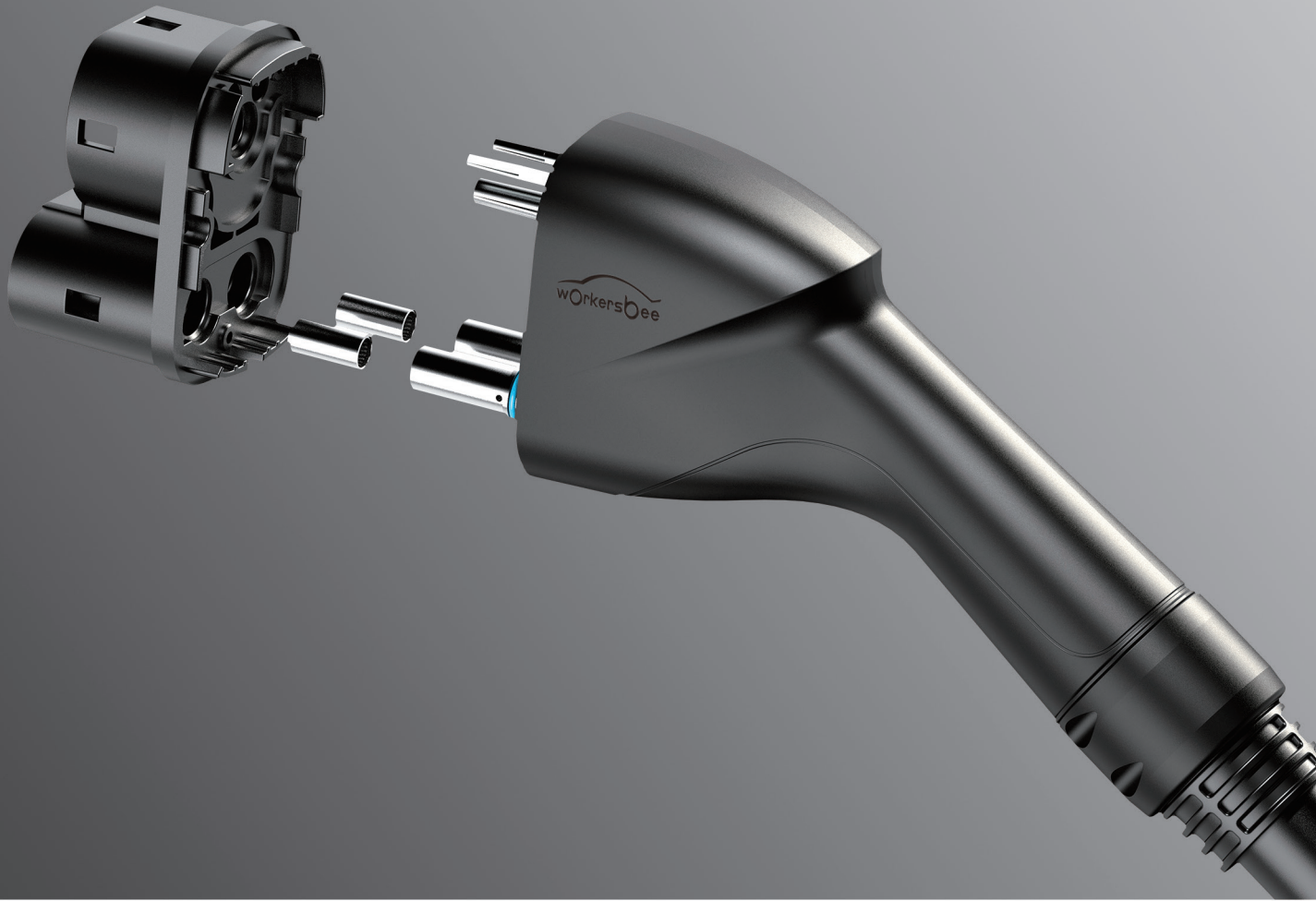
Product features and strong points:

- Plug dimensions meet IEC62196-3: 2022 requirements
- Cable is lightweight and small, easy to operate, and pleasant to use
- Liquid cooling system with low power consumption, resulting in more energy saving and greater environmental protection
- Coolant with high thermal capacity for improved cooling
- Outstanding cooling structure that covers cable conductors and terminals, synchronously dissipating heat from the plug's pins
- Meets the requirements for use at an altitude of 4000m



Product Parameters

Model No.	Rated Current	Cable Specification	Cable Material	Cable Outer Diameter	Liquid Cooling
WB-IC-DC2.0	700A	4x25+1x35+3x(2x0.75)(P2) 4x25+1x35+4x(2x0.75)(P2)	TPU	34.0mm	YES
	600A				
	500A				
	400A				
	300A				



Specification		Parameter	
Rated Current	300A-700A	Base Structure Material	PC
Rated Voltage	1000V DC	Plug Material	PA66+25%GF
Insulation Resistance	500MΩ <small>Compliant with IEC 62196-1:2022 under thermal conditions</small>	Terminal Material	Copper alloy, electroplated silver
Withstand Voltage	4500V	Coolant Medium	Water + Ethylene Glycol Aqueous Solution / Dimethicone
Flammability Rating	UL94V-0	Coolant Capacity	Approx. 2.5L (5m cable)
Plug Lifespan	> 10000 Mating Cycles	Coolant Pressure	Approx. 3.5-8bar
Protection Rating	IP67	Coolant Flow Rate	1.5-3L/min
Temperature Rise	< 50K	Heat Exchange Rate	170W@300A 255W@400A 374W@500A 530W@600A
Operating Environment Temperature	-30°C - +50°C	Liquid Cooling System Noise Output	< 60dB
Insertion & Withdrawal Force	< 140N	Warranty	24 months/10000 Mating Cycles
Liquid Cooling System Power Consumption	< 160W		

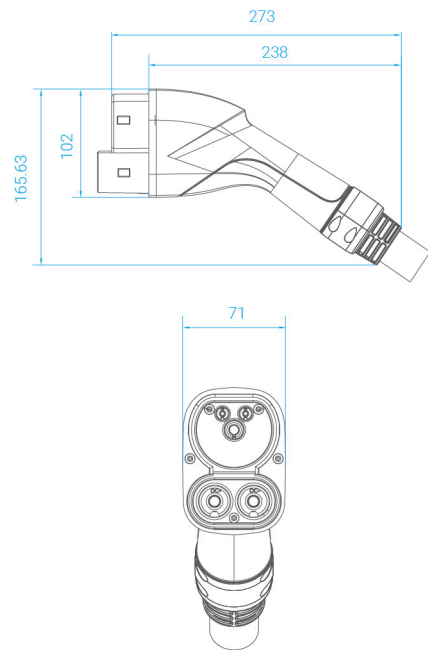
CCS 2 High-power Natural Cooling (CCS 2 DC Charging Plug 2.0)

- Up to 350A current output and natural heat dissipation
- Small and light with a comfortable grip for one-handed operation
- Ultrasonic welding, close to zero resistance, extremely cost-effective

Product features and strong points:

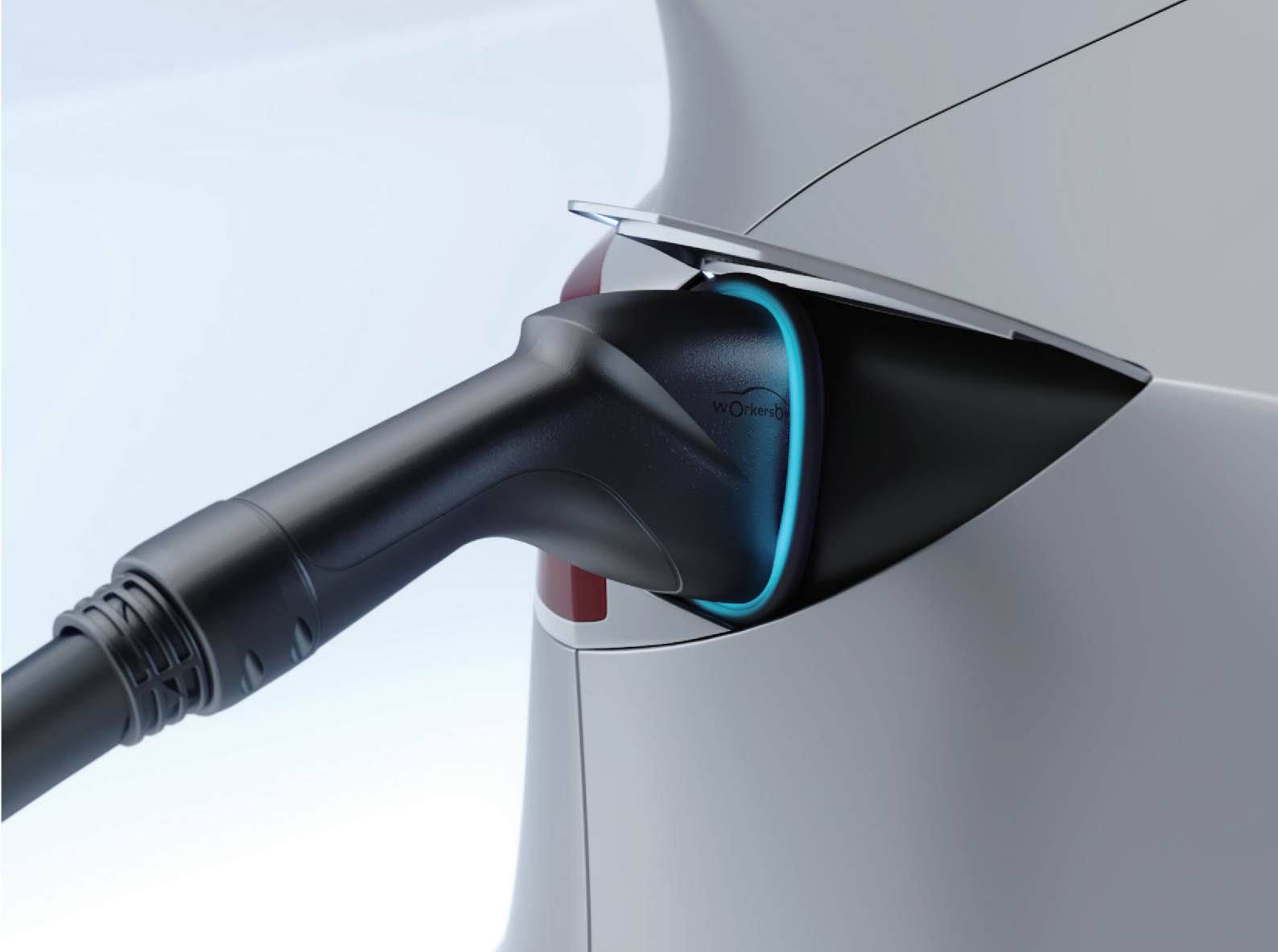
- Plug dimensions meet IEC62196-3: 2022 requirements
- Cable is lightweight and small, easy to operate, and pleasant to use
- Outstanding cooling structure that covers cable conductors and terminals, synchronously dissipating heat from the plug's pins
- Meets the requirements for use at an altitude of 4000m

Note: Use per Workersbee control strategy



Product Parameters

Model No.	Max Current	Cable Specification	Cable Material	Cable Outer Diameter	Liquid Cooling
WB-IC-DC2.0	350A	2x70+35+2x0.75(P2)+2x(2x0.75) 2x70+35+2x(2x0.75)(P2)+2x(2x0.75)	TPU	34.0mm	NO
	300A				
	250A				
	200A				
	150A	2x50+1x25+6x0.75		30.0mm	
	125A	2x35+1x25+6x0.75		26.7mm	
	80A	2x16+1x16+6x0.75		20.5mm	
	60A			21.0mm	
	40A			2x10+1x6+3x(2x0.75)(P2)	
32A	2x6+1x6+3x(2x0.75)(P2)	21.0mm			



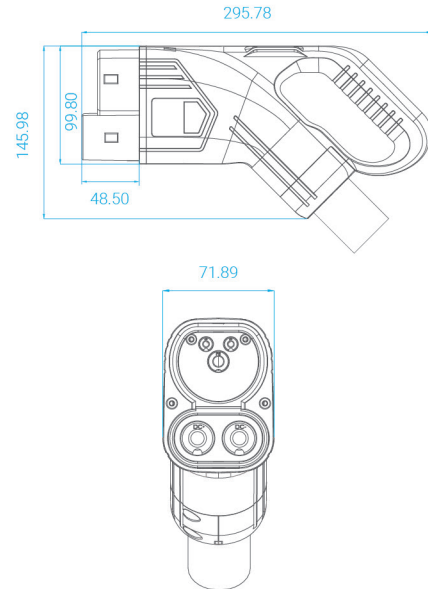
Specification	Parameter		
Max Current	32A-350A	Base Structure Material	PC
Rated Voltage	1000V DC	Plug Material	PA66+25%GF
Insulation Resistance	500MΩ Compliant with IEC62196-1:2022 under thermal conditions	Terminal Material	Copper alloy, electroplated silver
Withstand Voltage	4500V	Insertion & Withdrawal Force	<140N
Flammability Rating	UL94V-0	Temperature Rise	<50K
Plug Lifespan	>10000 Mating Cycles	Operating Environment Temperature	-30°C - +50°C
Protection Rating	IP67	Warranty	24 months/10000 Mating Cycles

CCS 2 DC (CCS 2 DC Charging Plug 1.0)

© Ultrasonic terminal welding with a contact resistance close to zero

ultrasonic terminal welding technology. Temperature rise is lower making the charging process safer and prolonging the plug's lifespan. TUV/CE/CB/UKCA certification.

Friendly reminder: Customized designs available.



Product Parameters

Model No.	Rated Current	Cable Specification	Cable Material	Cable Outer Diameter
WB-IC-DC1.0-500A	500A	4x50+35+2(2x0.75)(P2)+2x(2x0.75)	TPU	36.0mm
WB-IC-DC1.0-250A	250A	2x70+1x35+P(5x0.75+1x0.75P) 2x70+1x35+3(2x0.75)	TPU	34.0mm
WB-IC-DC1.0-200A	200A	2x70+1x35+P(5x0.75+1x0.75P) 2x70+1x35+3(2x0.75)	TPU	34.0mm
WB-IC-DC1.0-150A	150A	2x50+1x25+P(5x0.75+1x0.75P) 2x50+1x25+3(2x0.75)	TPU	30.0mm
WB-IC-DC1.0-125A	125A	2x35+1x25+P(5x0.75+1x0.75P) 2x35+1x25+3(2x0.75)	TPU	26.7mm

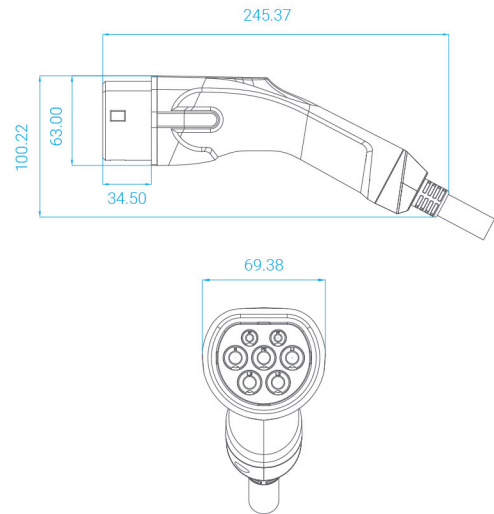
Specification	Parameter	Specification	Parameter
Rated Current	125A-500A	Casing Material	Thermoplastic
Rated Voltage	1000V DC	Terminal Material	Copper alloy, silver plated
Insulation Resistance	>500MΩ	Operating Environment Temperature	-30°C- +50°C
Contact Resistance	0.5 mΩ Max	Terminal Temperature Rise	<50K
Withstand Voltage	3500V	Insertion & Withdrawal Force	<100N
Flammability Rating	UL94V-0	Certification	TUV / CE / CB / UKCA
Mechanical Lifespan	>10000 Mating Cycles	Warranty	24 months/10000 Mating Cycles
Casing Protection Rating	IP55		

Type 2 AC (Type 2 Vehicle Side AC Charging Plug 2.1)

- Terminal coating, modular design, and automated production make this charging plug extremely cost effective.

Ergonomic design and comfortable grip that perfectly fits the human hand. Optional IP55 protection rating. The matching plug cover provides effective protection. High-quality thermoplastic casing with copper alloy pins and up to 10,000 Mating Cycles. Enjoy 24 months warranty and replacement service.

Friendly reminder: Customized designs available.



Product Parameters

Model No.	Rated Current	Cable Specification	Cable Material	Cable Outer Diameter
WB-IC-AC2.1-32AS	32A (Single Phase)	3x6+1x0.5	TPU	13.5mm
WB-IC-AC2.1-32AT	32A (Three phase)	5x6+1x0.5	TPU	16.8mm
WB-IC-AC2.1-16AS	16A (Single Phase)	3x2.5+1x0.5	TPU	11.7mm
WB-IC-AC2.1-16AT	16A (Three phase)	5x2.5+1x0.5	TPU	13.5mm

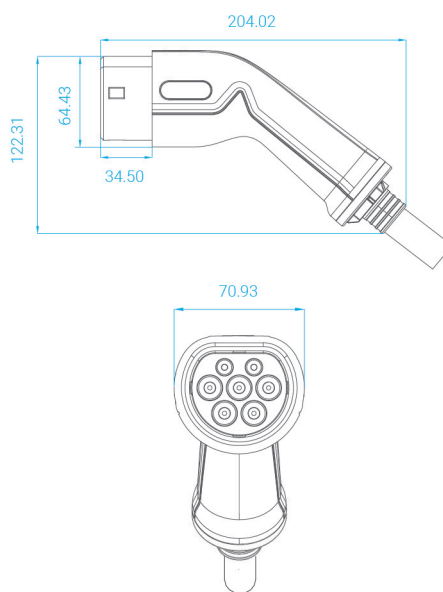
Specification	Parameter	Specification	Parameter
Rated Current	16A/32A	Casing Protection Rating	IP55
Rated Voltage	250V/ 480V AC	Casing Material	Thermoplastic
Insulation Resistance	> 500MΩ	Terminal Material	Copper alloy, silver plated + thermoplastic top
Contact Resistance	0.5 mΩ Max	Operating Environment Temperature	-30°C- +50°C
Withstand Voltage	2500V	Certification	UKCA / CB/ TUV/ CE
Flammability Rating	UL94V-0	Warranty	24 months/10000 mating cycles
Mechanical Lifespan	> 10000 Mating Cycles		

Type 2 AC (Type 2 Vehicle Side AC Charging Plug 1.0)

◎ Classic design, durable, and a continental best seller

Ergonomic design and comfortable grip that perfectly fits the human hand.

Friendly reminder: Customized designs available.



Product Parameters

Model No.	Rated Current	Cable Specification	Cable Material	Cable Outer Diameter
WB-IC-AC1.0-32AS	32A (Single Phase)	3x6+1x0.5	TPU	13.5mm
WB-IC-AC1.0-32AT	32A (Three phase)	5x6+1x0.5	TPU	16.8mm
WB-IC-AC1.0-16AS	16A (Single Phase)	3x2.5+1x0.5	TPU	11.7mm
WB-IC-AC1.0-16AT	16A (Three phase)	5x2.5+1x0.5	TPU	13.5mm

Specification	Parameter	Specification	Parameter
Rated Current	16A/32A	Casing Protection Rating	IP55
Rated Voltage	250V/ 480V AC	Casing Material	Thermoplastic
Insulation Resistance	> 500MΩ	Terminal Material	Copper alloy, silver plated + thermoplastic top
Contact Resistance	0.5 mΩ Max	Operating Environment Temperature	-30°C- +50°C
Withstand Voltage	2500V	Certification	UKCA / CB/ TUV/ CE
Flammability Rating	UL94V-0	Warranty	24 months/10000 mating cycles
Mechanical Lifespan	>10000 Mating Cycles		